

# PHOS 45 OUTDOOR – SPECIFICATIONS



|   |   |
|---|---|
| item:   | PHOS 45 outdoor                                       |
| body:   | steel / aluminium                                     |
| weight:   | 3.4 kg  |
| environmental conditions:                                       | outdoors, humid indoor environments                   |
| ambient temperature:  | -30° C – + 35° C                                      |
| cooling:  | active cooling, fan                                   |
| noise level:  | 33 dBA  |
| light source:   | 40 W High Power LED                                   |
| recommended projection distance in normal room light:           | 13 ft   |
| recommended projection distance in darkness:                    | 33 ft   |
| average lifetime of the LED (L70):                              | 35,000 hours  |
| colour temperature:   | 6,300 - 6,700 K                                       |
| luminous flux of the LED:                                       | 2,700 lumens  |
| gobo size / image size:   | Ø 50 mm / Ø 40 mm                                     |
| input voltage:  | 100 - 240 V AC, 50 / 60 Hz                            |
| power consumption:  | 51 W  |
| efficiency:   | 0.5 cos. φ  |
| electrical protection:  | I   |
| ingress protection rating:                                      | IP 64   |
| photobiological safety according to ICE62471:2006 EN62471:2008: | RG-2  |
| item number:  | 20045410 – white, 20045420 – black, 20045430 – silver |

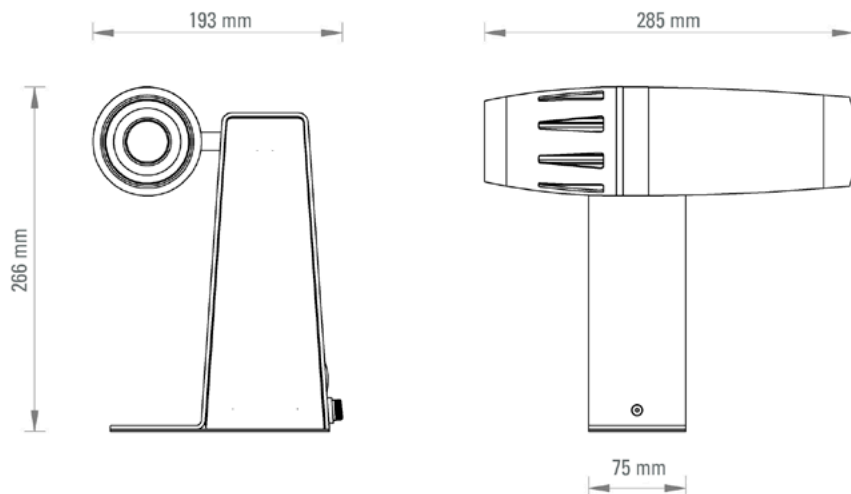
The 40 Watt High-Power LED of PHOS 45 outdoor is sufficiently cooled by a noise-optimized fan and provides extra power. The projector is suitable for year-round outdoor use or for damp interiors. The lens is equipped with a special gasket, which prevents the penetration of moisture. All encapsulated electronic components are waterproof. The projector is connected via a watertight connection tube. The recommended projection distance at dusk and night is up to 33 feet. PHOS 45 outdoor is especially suitable for outdoor projections on facades or portals, messages on pavements or areas in pedestrian zones – up to a diameter of about 13 feet. The projection motif (gobo) can be changed without tools.

## Components

Standard series with high power LED and 85 mm standard lens. Required accessories: glass gobo with individually designed motif.

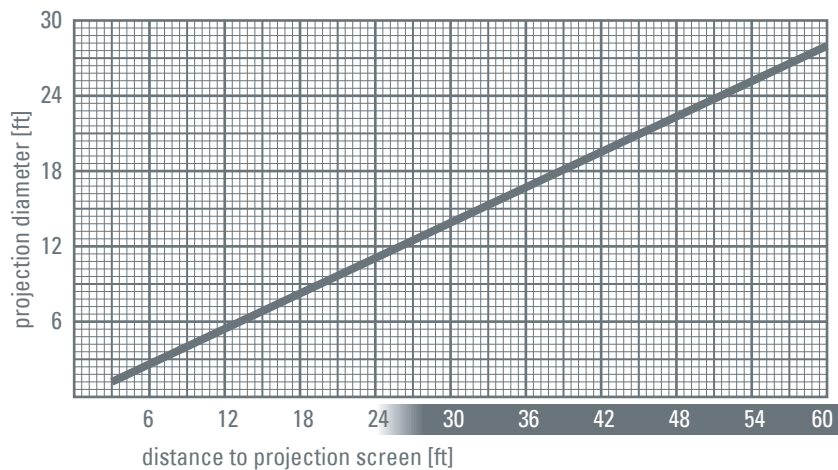


## Dimensions



## Projection Size

Standard Lens,  $f = 85 \text{ mm}$



derksen®  
lichttechnik

Derksen Lichttechnik GmbH  
Sauerlandstraße 5  
45889 Gelsenkirchen  
Germany

Tel.: +49 (0)209 / 9 80 70 0  
Fax: +49 (0)209 / 9 80 70 60

info@derksen.de  
www.derksen.de