

PHOS 65 OUTDOOR – SPECIFICATIONS



item:	PHOS 65 outdoor
body:	steel / aluminium
weight:	3.4 kg
environmental conditions:	outdoors, humid indoor environments
ambient temperature:	-30° C – + 35° C
cooling:	active cooling, fan
noise level:	33 dBA
light source:	60 W High Power LED
recommended projection distance in normal room light:	20 ft
recommended projection distance in darkness:	50 ft
average lifetime of the LED (L70):	25,000 hours
colour temperature:	6,300 - 6,700 K
luminous flux of the LED:	3,800 lumens
gobo size / image size:	Ø 50 mm / Ø 40 mm
input voltage:	100 - 240 V AC, 50 / 60 Hz
power consumption:	62 W
efficiency:	0.8 cos. φ
electrical protection:	I
ingress protection rating:	IP 64
photobiological safety according to ICE62471:2006 EN62471:2008:	RG-2
item number:	20065410 – white, 20065420 – black, 20065430 – silver

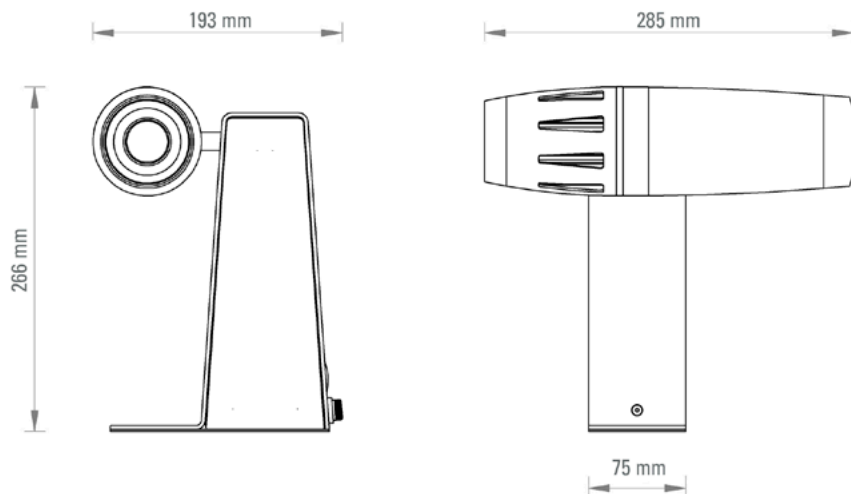
PHOS 65 outdoor is the most powerful outdoor system and its 60 watts, air-cooled High-Power LED provides uncompromised brightness, which guarantees a brilliant and crisp projection in almost any situation. PHOS 65 outdoor is the optimal solution, when projecting on coloured or dark surfaces or when colourful artworks are to be displayed. The projector is suitable for damp interiors or year-round outdoor use. The maximum projection distance is 20 feet in normal room lighting and 50 feet at dusk and night. Recommended application are: projections on facades or architectural elements, messages on pavements. Also vegetation and parks can be used as projection screen. The projection motif (gobo) can be changed without tools.

Components

Standard series with high power LED and 85 mm standard lens. Required accessories: glass gobo with individually designed motif.

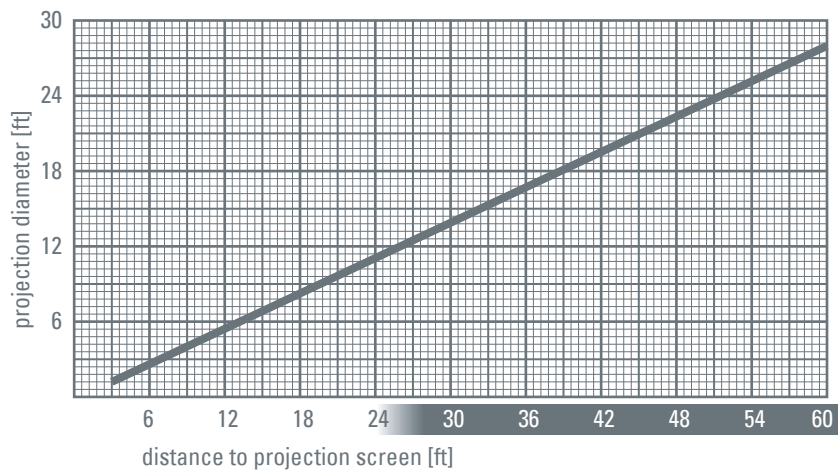


Dimensions



Projection Size

Standard Lens, $f = 85 \text{ mm}$



derksen®
lichttechnik

Derksen Lichttechnik GmbH
Sauerlandstraße 5
45889 Gelsenkirchen
Germany

Tel.: +49 (0)209 / 9 80 70 0
Fax: +49 (0)209 / 9 80 70 60

info@derksen.de
www.derksen.de